

THE MULTITEK CART



DISTINCTIVE FEATURES

- Ideal as a compact and portable workstation or simple material handling cart
- Ergonomic working height
- Multiple layouts and configurations possible
- Choose from 20 colors to match your image
- Durable, reliable and unparalleled quality
- Made in North America

HEAVY-DUTY, VERSATILE
AND MANEUVERABLE



RV-GB3752X002B

THE MULTITEK CART

IDEAL FOR A RANGE OF ENVIRONMENTS

STORAGE SPACE



The MultiTek Cart is an ergonomic and multifunctional cart. In an innovative leap forward from standard cart solutions, not only does it transport tools, parts and other items, it also functions as a small portable workstation. Many configurations are possible, ranging from minimalist to fully equipped. You can also install a wide range of accessories to keep whatever you need close by and conveniently organized.

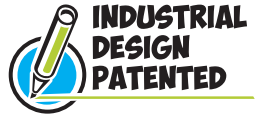
KEEP YOUR ESSENTIALS TO HAND
AND ORGANIZED IN YOUR OWN PREFERRED WAY

All models can be fitted with a PVC mat, while carts with drawers feature a lock-in mechanism to prevent them from opening by themselves, and the covers include a lock. Heavy-duty and maneuverable, the MultiTek Cart is the ideal companion to help you perform your daily tasks.

MATERIAL HANDLING CART

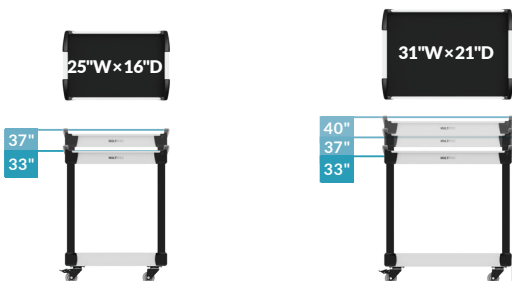


PORTABLE WORKSTATION

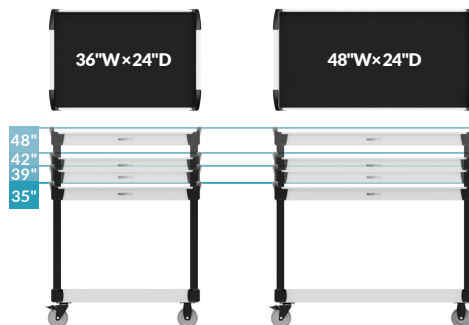


MULTIPLE CONFIGURATIONS

The base cart is the starting point for endless possibilities.



CARTS WITH 3\"/>



CARTS WITH 5\"/>

DESIGNED TO ACCOUNT FOR DIFFERENT WORK HABITS AND REQUIREMENTS

SPECIFICATIONS

Drawer: 50 lb.
 Shelf: 150 lb.
 Roll-out shelf: 15 lb.
 Cart: 600 lb.

* Usable height of drawers is 3". ** See bottom left "MULTIPLE CONFIGURATIONS" for available configurations.

SECURITY COVER

Opens 90° and pistons are strategically positioned to allow unrestricted access to the work surface



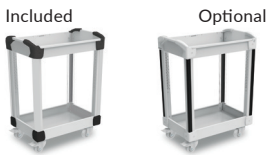
SOFT PVC PROTECTIVE HANDLES

Comfortable and ergonomic handles protect surrounding objects from accidental impacts



BUMPERS

Protects surrounding objects and the cart itself.



DRAWERS AND ROLL-OUT SHELVES

100% extension

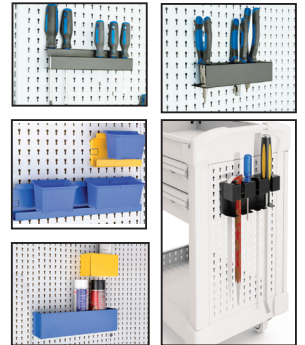


PANELS

Utility panels or panels for plastic bins



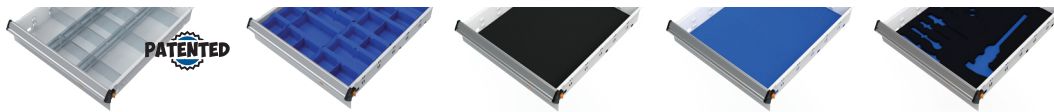
ACCESSORIES



SUPERIOR-QUALITY CASTERS

RUBBER MAT

DRAWER AND SHELF ACCESSORIES



Partitions and dividers (Drawer)

Plastic bins (Drawer)

PVC drawer liner (Drawer and shelf)

Protective foam (Drawer and shelf)

Foam for tools (Drawer and shelf)

INTERMEDIATE SHELF



DID YOU KNOW?

One of Rousseau's biggest strengths is our wide range of color options. Choose from 20 standard colors.



Classic Blue	Avalanche Blue	Everest Blue	Midnight Blue	Glossy Sapphire Blue	Glossy EverGreen	Glossy Yellow	Sienna Orange	Flame Red	Glossy Carmine Red	Glossy Cranberry Red	White	Beige	Frost White	Light Gray	Modern Gray	Charcoal Gray	Glossy Black	Black	Glossy Carbon Black
052	055	051	057	560	1025	208	085	081	806	815	616	041	061	071	745	072	902	091	741

HERE ARE SOME SOLUTIONS

Go to rousseau.com for more suggested models.



25" x 16" x 37" RV-GB3700K101*
31" x 21" x 37" RV-NH3700K101*



25" x 16" x 37" RV-GB3700F101
31" x 21" x 37" RV-NH3700F101



25" x 16" x 37" RV-GB37A1F102B
31" x 21" x 37" RV-NH37A1F102B



25" x 16" x 37" RV-GB37A2F102B
31" x 21" x 37" RV-NH37A2F102B



25" x 16" x 37" RV-GB37A1UL10B
31" x 21" x 37" RV-NH37A1UL10B



25" x 16" x 37" RV-GB37A2UL12B
31" x 21" x 37" RV-NH37A2UL12B



25" x 16" x 37" RV-GB37A3X102B
31" x 21" x 37" RV-NH37A3X102B



25" x 16" x 37" RV-GB37S2F106B
31" x 21" x 37" RV-NH37S2F106B



36" x 24" x 42" RV-VM4200K106*
48" x 24" x 42" RV-ZM4200K106*



36" x 24" x 42" RV-VM4200K109*
48" x 24" x 42" RV-ZM4200K109*



36" x 24" x 42" RV-VM4200U106
48" x 24" x 42" RV-ZM4200U106



36" x 24" x 42" RV-VM4200U108
48" x 24" x 42" RV-ZM4200U108

For more information, contact our representative:

*Sold unassembled.

ROUSSEAU METAL INC.

105, AVENUE DE GASPÉ OUEST
SAINT-JEAN-PORT-JOLI (QUÉBEC)
G0R 3G0 CANADA

WEBSITE
rousseau.com

END USERS
1.866.463.4270
EMAIL
info@rousseau.com

DISTRIBUTORS
1.800.463.4271
DISTRIBUTORS ACCESS
e-rousseau.com



7PV12A00
V12-FE20A