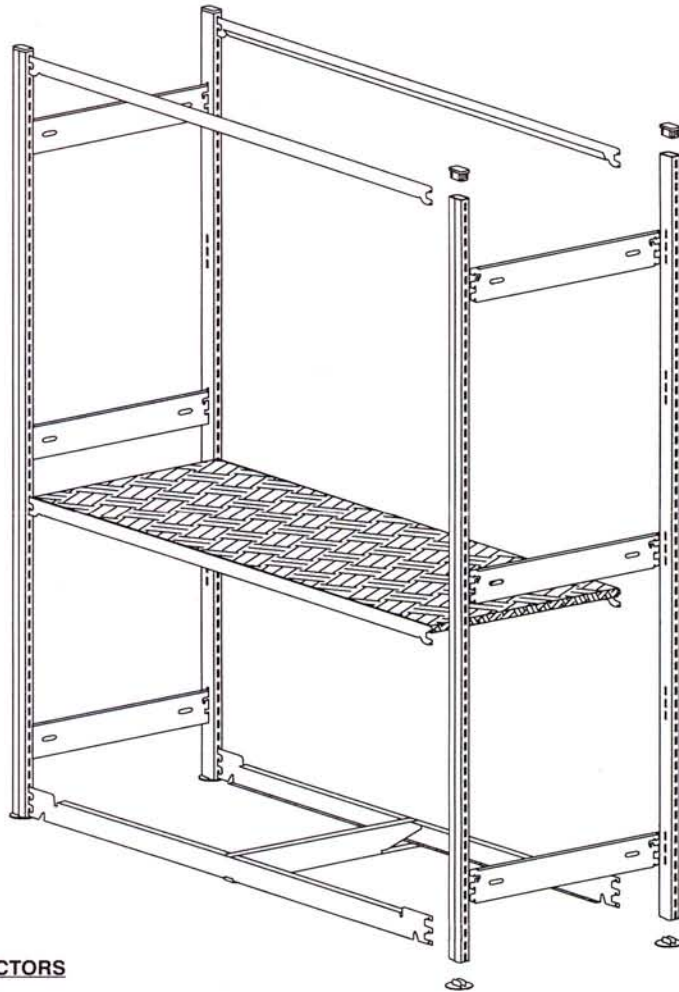


E-Z Rect TRIM-LINE Boltless Shelving Assembly Instructions

| Load Capacities | Maximum Evenly Distributed Static Load Per Pair Of Connectors | | | | | |
|---------------------------------------|---|------------------|------------------|------------------|------------------|------------------|
| | 36" 0.91m | 39 1/2" 1.00m | 48" 1.22m | 60" 1.52m | 66" 1.68m | 72" 1.83m |
| 4 Shelf Clips & one Metal 20ga. Shelf | 350 lb 159 kg | 290 lb 132 kg | 200 lb 91 kg | --- | --- | --- |
| TFCV | 390 lb 177 kg | 350 lb 159 kg | 290 lb 132 kg | --- | --- | --- |
| TBC | 600 lb 272 kg | 550 lb 249 kg | 500 lb 227 kg | --- | --- | --- |
| TWB | --- | --- | --- | 570 lb 259 kg | 470 lb 213 kg | 395 lb 179 kg |
| TWB with one Combination Tie Bar | --- | --- | --- | 972 lb 441 kg | 810 lb 368 kg | 729 lb 331 kg |



SAFE WORKING LOADS OF UP TO 7,000 lbs (3,175 kgs) PER PAIR OF POST OR BAY OF SHELVING.

SAFETY FACTOR OF 1.66 TO 1.00 BASED ON MIN. YIELD STATIC LOADING ONLY.

PLEASE CONTACT THE FACTORY FOR CAPACITIES NOT SHOWN IN CHART.



BLACK PLASTIC TOP OR BOTTOM CAP

Install Top Cap After Assembly

SHELF CLIPS

4 Required per shelf level
(2 Right Hand & 2 Left Hand)

TFCV FRAME CONNECTORS

Use With Particle Boards
Available Lengths: 36" (0.91m),
39 1/2" (1.00 m), 48" (1.22 m)

TFCL FRAME CONNECTORS

Use With Metal Shelves
Available Lengths: 36" (0.91m),
39 1/2" (1.00 m), 48" (1.22 m)

TBC FRAME CONNECTORS

For Heights Up To 84" (2.13 m) Use At
Top & Bottom When Using Shelf Clips
In Between.
Available Lengths: 36" (0.91m),
39 1/2" (1.00 m), 48" (1.22 m)

TWB FRAME CONNECTORS

Use For Long Span And As A Kickplate
Available Lengths: 60" (1.52 m),
66" (1.68 m), 72" (1.83 m)

FLOOR PLATES

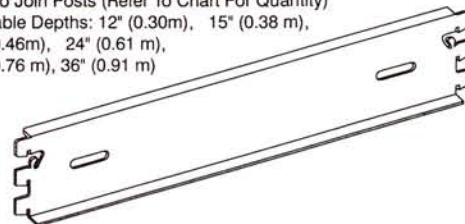
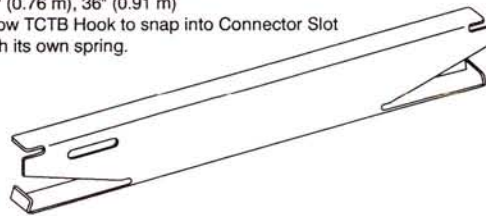
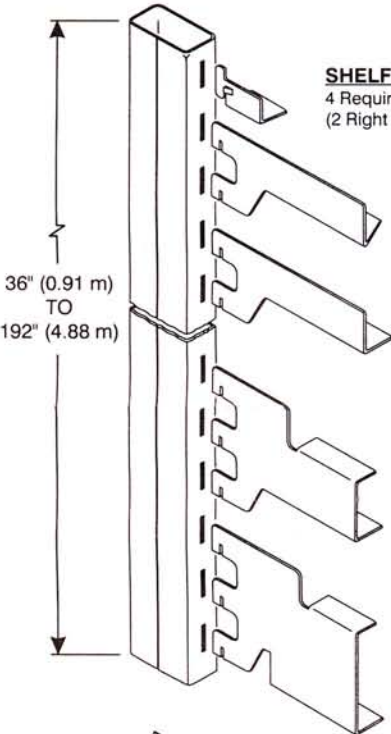
Use to Protect Floors

COMBINATION TIE BARS

Use With TWB Connectors
Available Depths: 18" (0.46m), 24" (0.61 m),
30" (0.76 m), 36" (0.91 m)
Allow TCTB Hook to snap into Connector Slot
with its own spring.

POST CONNECTORS

Use To Join Posts (Refer To Chart For Quantity)
Available Depths: 12" (0.30m), 15" (0.38 m),
18" (0.46m), 24" (0.61 m),
30" (0.76 m), 36" (0.91 m)



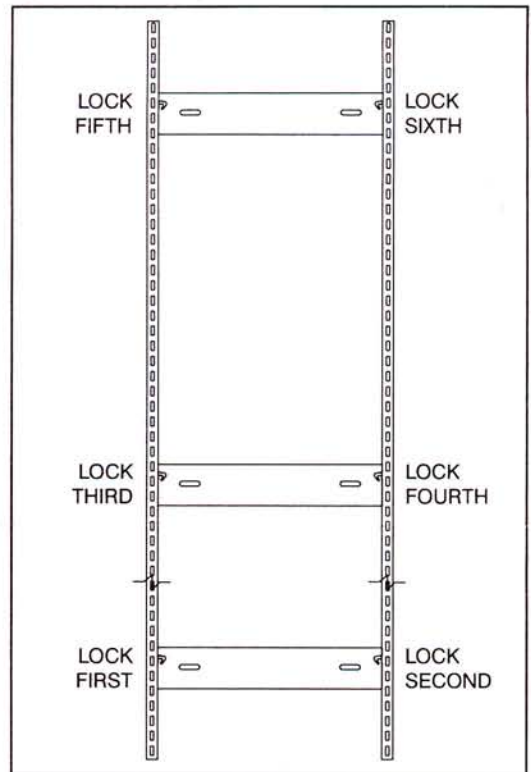
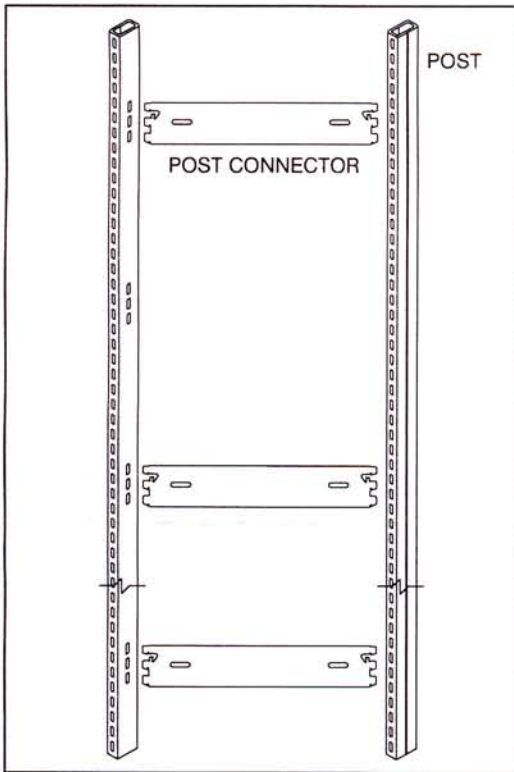
Please note load capacities & components subject to change without notice.

Manufactured by:
E-Z-RECT MANUFACTURING LTD.

Head Office:
94 Riverside Drive, North Vancouver, B.C. V7H 2M6
Fax: (604) 929-5184 Telephone: (604) 929-5461

Eastern Division:
185 Admiral Blvd., Mississauga, Ont. L5T 2T3
Fax: (905) 564-0953 Telephone: (905) 564-0890

E-Z Rect TRIM-LINE Boltless Shelving Assembly Instructions



STEP ONE

Place post flat on the ground so that Post Connector slots are on the inside and the seam is on the outside. Post Connector slots are adjustable every 12" (305mm). Arrange Post Connectors at desired location, normally evenly spaced, with one always at top and bottom of post.

STEP TWO

Starting from the bottom, tap in one side of the Post Connector and LOCK IMMEDIATELY. Then tap in and lock the other side. The post may have to be spread slightly as you work your way up the post.

POST CONNECTORS - IMPORTANT TO LOCK

Post connector tabs **MUST** be locked for safety. Post can be unlocked and relocked 4 to 6 times safely. Use a 1/4" or a 3/8" screwdriver or chainsaw wrench to lock connectors. Assembly time is approximately 2 minutes per 7' (2134mm) frame.

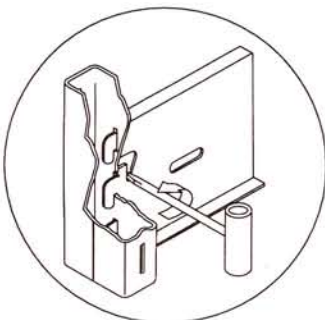
NUMBER OF POST CONNECTORS REQ'D:

| Post Height | Post Connectors Required |
|----------------------------|--------------------------|
| 60" (1.52m), | 2 |
| 72" (1.83m), 84" (2.13m), | 3 |
| 96" (2.44m), 108" (2.74m), | 4 |
| 120" (3.05m), | 5 |

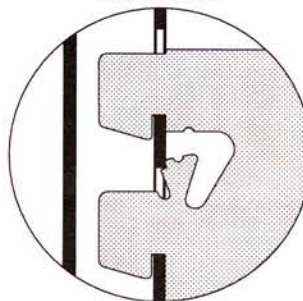
| |
|--|
| CDN PATENTED 1991 |
| USA PATENT #5082388 |
| EUROPEAN PATENT #0,572,447 (BELGIUM, FRANCE, GERMANY, SPAIN, UNITED KINGDOM) |

NOTE:

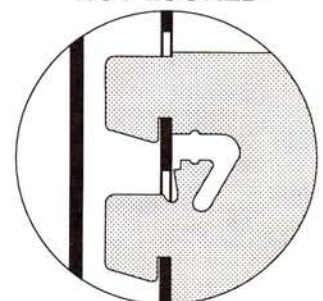
Please contact your sales representative or the factory direct for help on shelving assembly, seismic conditions and heights over 120" (3.05m).



LOCKED



NOT LOCKED



CAUTION - POST CONNECTORS MUST BE LOCKED FOR SAFETY.